

Technical data

Range		Rondo 1					Rondo 2					Rondo 3				
Width	[cm]	100	150	200	250	300	100	150	200	250	300	100	150	200	250	300
Max. installation height	[m]	2,5					2,8					3,5				
Volume flow rate	[m³/h]	1.800	2.700	4.500	5.400	6.300	2.700	3.600	5.400	6.300	7.200	3.800	4.900	7.200	9.500	11.000
Max. sound level	[dB(A)]	54	55	56	57	58	55	56	57	58	60	56	58	59	60	61
Weight of basic unit	[kg]	40	50	75	95	110	42	65	80	100	120	100	135	170	200	230
Electrical data																
AC technology (Maximum output data to determine conductor dimensions. Electrical output data are lower during operation of the device)																
Voltage	[V]	230					230					230				
Output	[kW]	0,46	0,69	1,15	1,38	1,61	0,69	0,92	1,38	1,61	1,84	1,07	1,81	2,71	3,62	4,52
Power consumption	[A]	2,10	3,15	5,25	6,30	7,35	3,15	4,20	6,30	7,35	8,40	4,36	8,54	12,81	17,08	21,35
EC technology (Maximum output data to determine conductor dimensions. Electrical output data are lower during operation of the device)																
Voltage	[V]	230					230					230				
Output	[kW]	0,34	0,51	0,85	1,01	1,18	0,34	0,68	1,01	1,18	1,35	1,38	1,38	2,07	2,76	3,45
Power consumption	[A]	2,40	3,60	6,00	7,20	8,40	2,40	4,80	7,20	8,40	9,60	6,20	6,20	9,30	12,40	15,50
Technical data of heater battery																
LTHW 70/50 at air intake temperature 20°C and air discharge temperature 37°C																
Heat output	[kW]	10,8	15,8	26,6	32,2	36,0	15,4	20,9	32,0	36,8	42,8	23,0	28,8	41,8	54,8	65,3
Flow rate	[m³/h]	0,50	0,70	1,20	1,40	1,60	0,80	1,10	1,40	1,60	1,90	1,00	1,30	1,80	2,40	2,90
Water resistance	[kPa]	1,73	1,67	3,70	4,53	6,70	4,77	4,02	5,13	5,73	9,07	3,80	3,18	3,24	3,26	3,49
LTHW 70/50 at air intake temperature 15°C and maximum air discharge temperature																
Heat output	[kW]	12,5	18,2	32,9	41,3	50,2	16,0	21,8	36,8	42,3	54,7	31,9	46,4	67,5	88,6	105,1
Air discharge temperature	[°C]	35,3	34,8	36,4	37,4	38,3	32,3	32,7	35,0	34,6	37,2	39,2	42,3	42,1	42,0	42,6
Flow rate	[m³/h]	0,50	0,80	1,40	1,80	2,20	0,70	1,00	1,60	1,90	2,40	1,40	2,00	3,00	3,90	4,60
Water resistance	[kPa]	2,25	2,16	5,38	7,00	12,00	3,48	2,96	6,57	7,31	13,97	6,73	7,36	7,52	7,58	8,06
LTHW 60/40 at air intake temperature 20°C and maximum air discharge temperature																
Heat output	[kW]	7,0	10,5	19,6	25,0	31,0	9,0	12,5	21,9	25,5	33,7	19,3	28,7	41,7	54,8	65,3
Air discharge temperature	[°C]	31,6	31,5	33,0	33,8	34,6	29,9	30,4	32,1	32,1	33,9	34,8	37,1	37,0	36,9	37,4
Flow rate	[m³/h]	0,30	0,50	0,90	1,10	1,40	0,40	0,50	1,00	1,10	1,50	0,80	1,20	1,80	2,40	2,80
Water resistance	[kPa]	0,84	0,84	2,24	2,99	5,30	1,30	1,16	2,73	3,11	6,16	2,87	3,27	3,34	3,37	3,61
Pipe connections																
Flow/return flow	[Zoll]	3/4	3/4	3/4	3/4	3/4	3/4	3/4	3/4	3/4	3/4	3/4	3/4	3/4	3/4	3/4
Electrical heater (three-step. 400 V, 3 Ph, 50 Hz)																
Step 1	[kW]	4,5	6,0	12,0	12,0	12,0	6,0	9,0	12,0	12,0	12,0	9,0	12,0	12,0	12,0	12,0
Step 2	[kW]	7,5	12,0	15,0	24,0	24,0	12,0	15,0	24,0	24,0	24,0	15,0	18,0	24,0	24,0	24,0
Step 3	[kW]	12,0	18,0	27,0	36,0	36,0	18,0	24,0	36,0	36,0	36,0	24,0	30,0	36,0	36,0	36,0
Δt max.	[K]	18,6	18,6	16,7	18,6	15,9	18,6	18,6	18,6	15,9	14,0	17,6	17,1	14,0	10,6	9,1
Dimensions																
Dimensions of the unit																
Width "B"	[mm]	1.000	1.500	2.000	2.500	3.000	1.000	1.500	2.000	2.500	3.000	1.000	1.500	2.000	2.500	3.000
Depth "T"	[mm]	400	400	400	400	400	400	400	400	400	400	580	580	580	580	580
Height "H"	[mm]	240	240	240	240	240	240	240	240	240	240	410	410	410	410	410

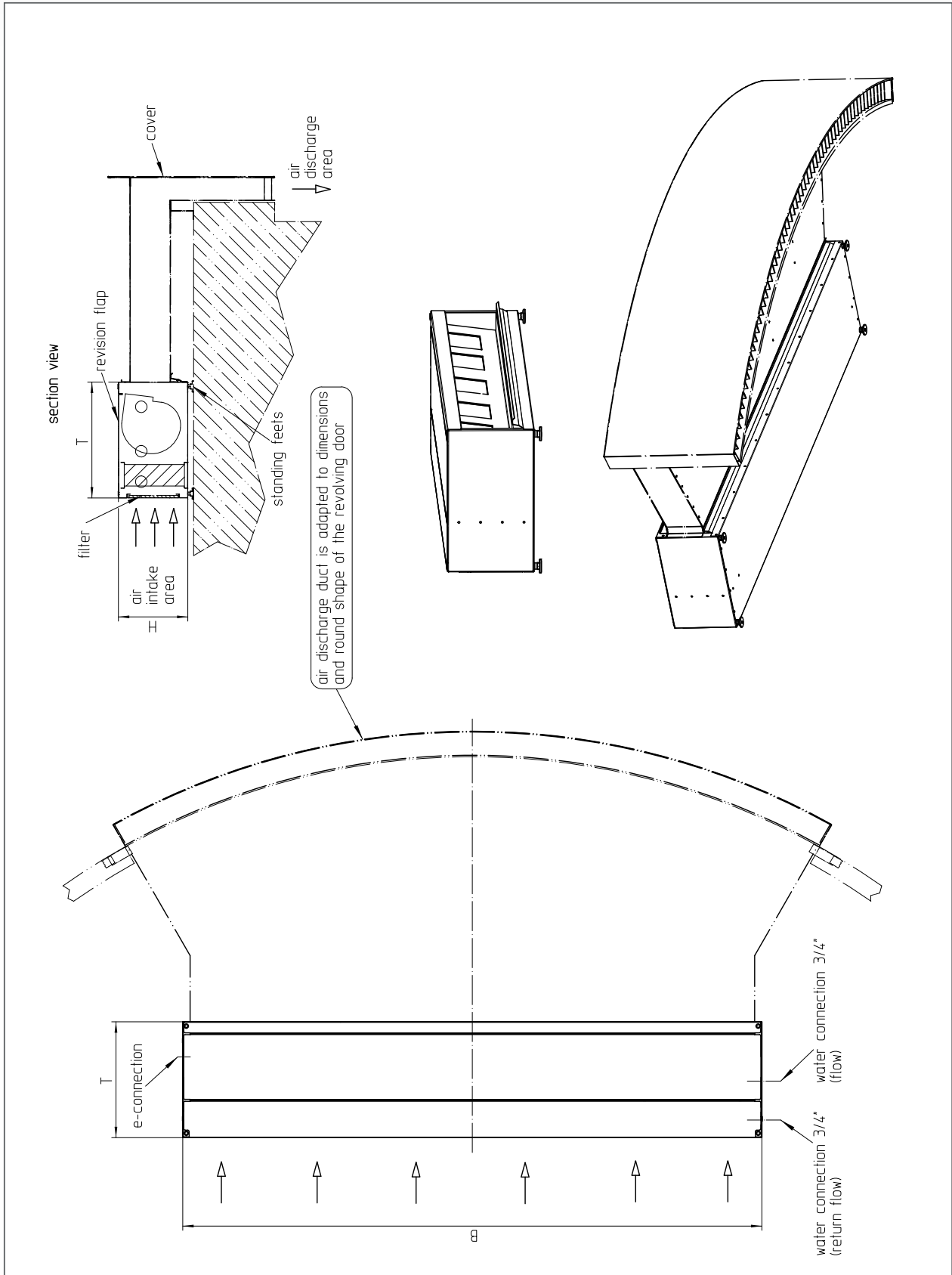
Selection table

Door diameter		1.8	2.0	2.2	2.3	2.4	2.8	2.9	3.0	3.1	3.2	3.6	3.7	4.1	4.2	4.4	4.5	4.6	5.1	5.2	5.3	5.4	5.6	5.8	6.0	6.1	6.2	6.4	6.5
Opening angle 60°	Max. installation height 2.5	Rondo 1-100		Rondo 2-100		Rondo 1-150		Rondo 1-200					Rondo 1-250																
	Max. installation height 2.8	Rondo 2-100				Rondo 2-150		Rondo 2-200			Rondo 2-250			Rondo 2-300															
	Max. installation height 3.5	Rondo 2-100		Rondo 3-100		Rondo 3-150		Rondo 2-200		Rondo 3-200	Rondo 2-250	Rondo 3-250																	
Opening angle 90°	Max. installation height 2.5	Rondo 1-100	Rondo 2-100		Rondo 1-150		Rondo 2-150	Rondo 1-200			Rondo 1-250		Rondo 1-300					Rondo 2-300											
	Max. installation height 2.8	Rondo 2-100		Rondo 2-150		Rondo 2-200			Rondo 2-250		Rondo 2-300					Rondo 3-300													
	Max. installation height 3.5	Rondo 3-100		Rondo 3-150		Rondo 3-200		Rondo 3-250			Rondo 3-300																		

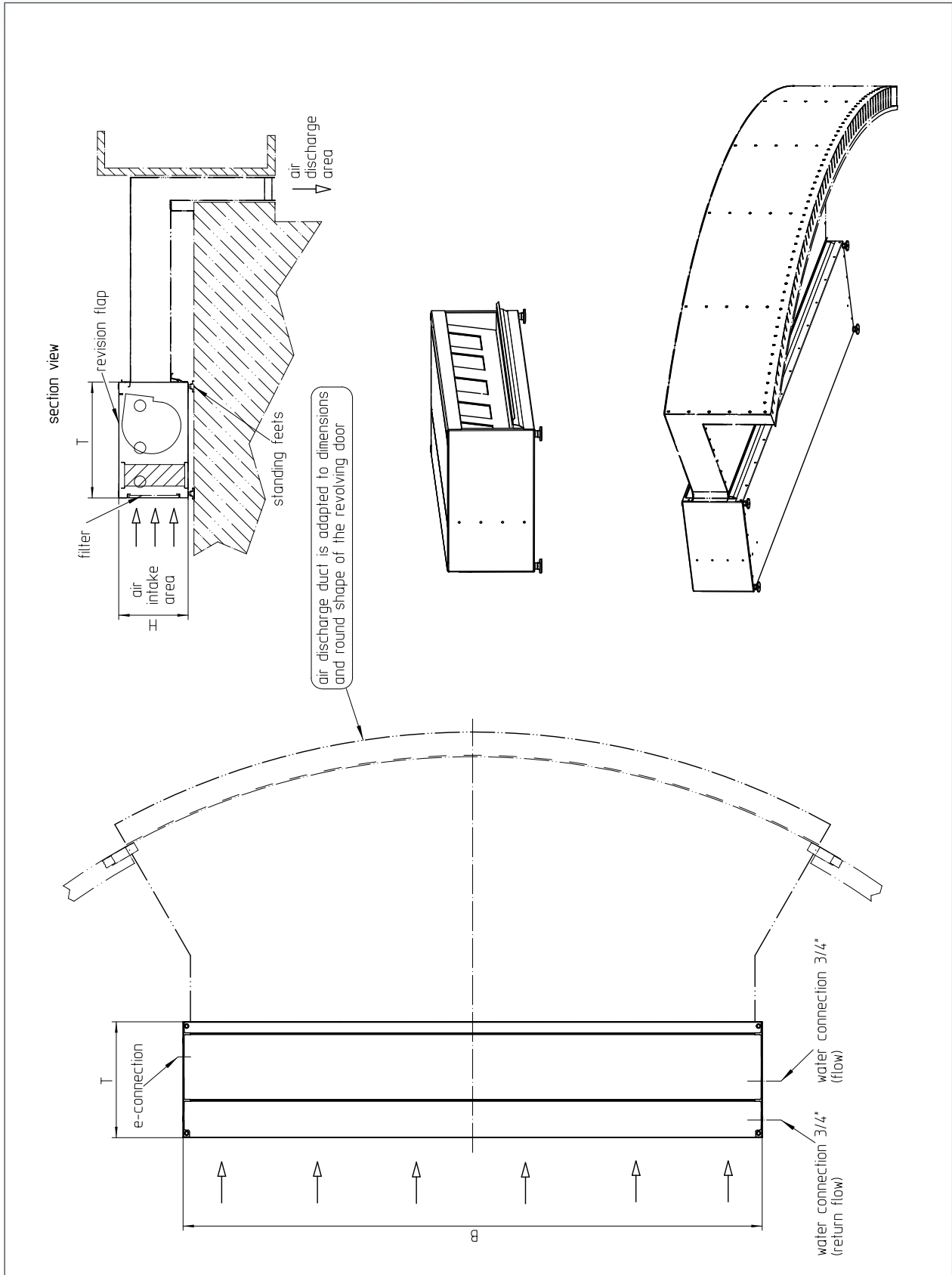
This table is designed to help you make an initial choice of which air curtain system would best suit your requirements. It is not binding! Differences may arise as a result of the door design and building situation. As from a door width of 5,00 m and with an opening angle of 90°, the discharge duct and panel are in 2 parts.



Dimensions - SDA model



Dimensions - SDE model





Dimensions - ZDE model

