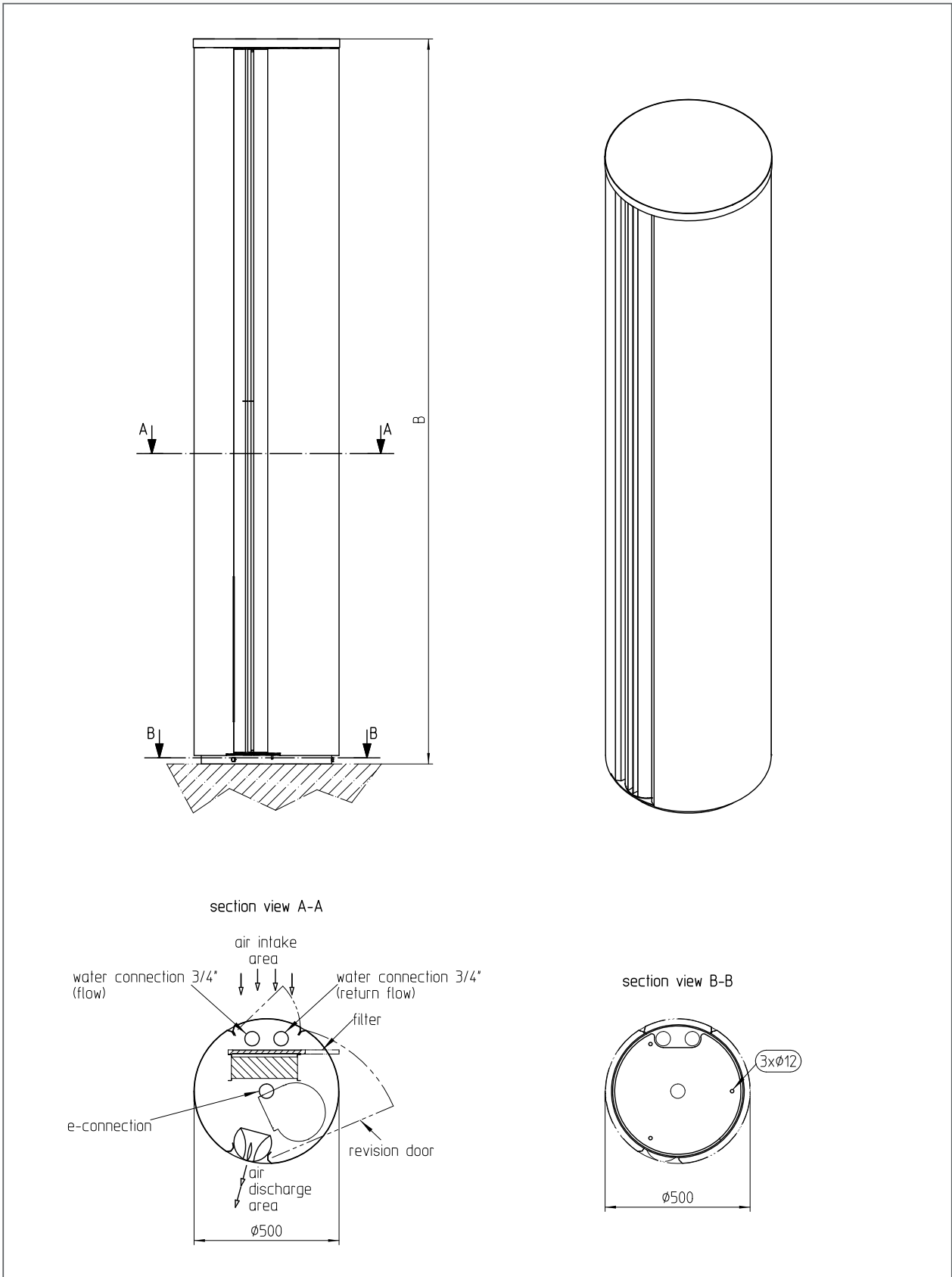


Technical data

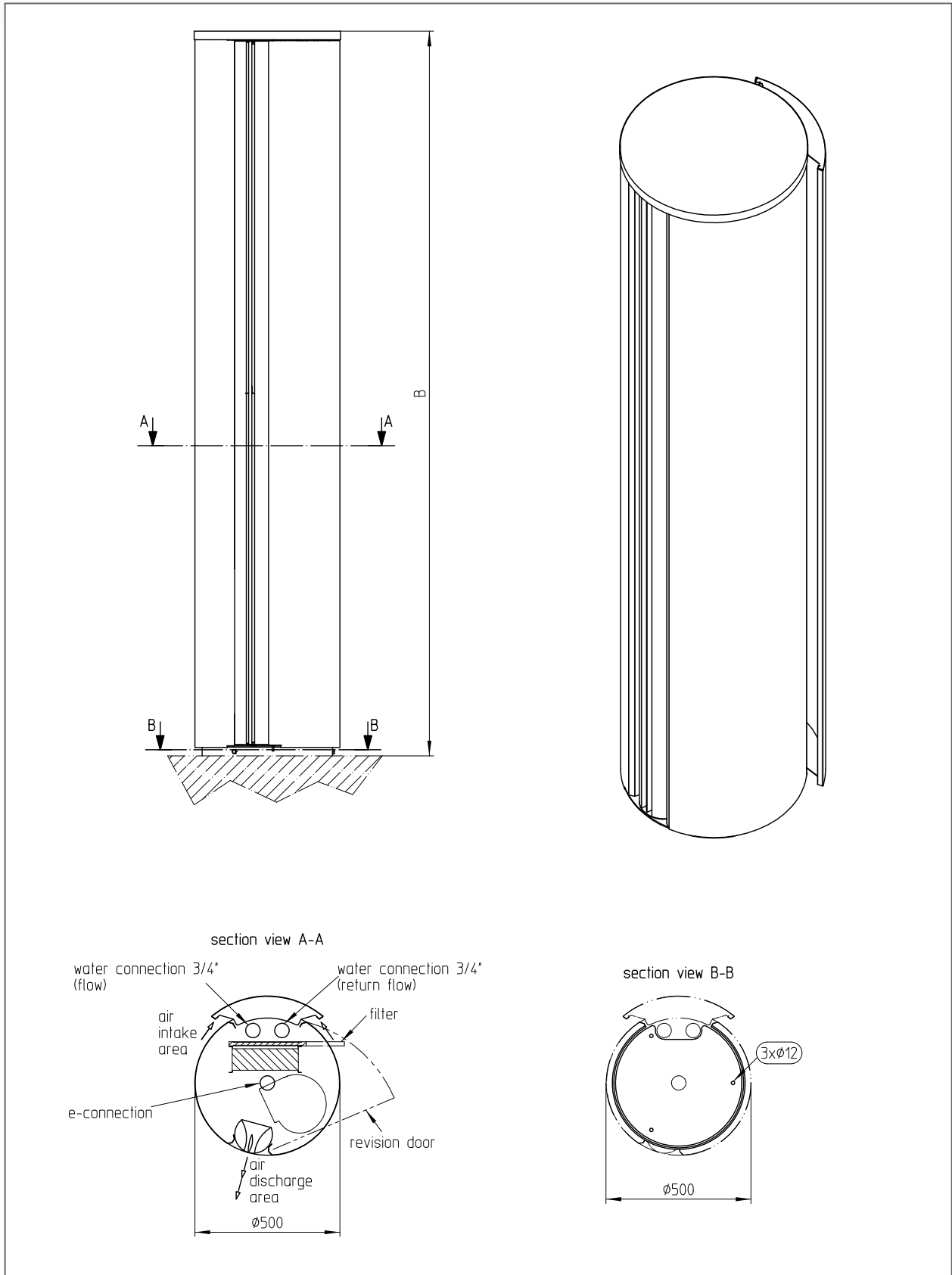
Range		Charisma 1			Charisma 2			Charisma 3			Charisma 4		
Width	[cm]	200	250	300	200	250	300	200	250	300	200	250	300
Max. door width	[m]	1,8			2,1			2,4			3,0		
Max. air discharge speed	[m/s]	9,0			11,2			12,5			9,4		
Nominal flow rate	[m³/h]	3.100	4.200	5.250	4.200	5.250	6.300	5.250	6.300	7.450	8.500	11.600	14.500
Actual flow rate	[m³/h]	2.250	3.000	3.750	3.000	3.750	4.500	3.750	4.500	5.250	6.000	8.000	9.500
Max. noise level	[dB(A)]	57	58	60	58	60	62	60	61	62	62	63	64
Weight	[kg]	135	150	165	145	160	175	155	170	185	200	240	265
Electrical data													
AC technology		(Maximum output data to determine conductor dimensions. Electrical output data are lower during operation of the device)											
Voltage	[V]	230			230			230			230		
Output	[kW]	0,69	0,92	1,15	0,92	1,15	1,38	1,15	1,38	1,61	2,71	3,62	4,52
Power consumption	[A]	3,15	4,20	5,25	4,20	5,25	6,30	5,25	6,30	7,35	12,81	17,08	21,35
EC technology		(Maximum output data to determine conductor dimensions. Electrical output data are lower during operation of the device)											
Voltage	[V]	230			230			230			230		
Output	[kW]	0,51	0,68	0,85	0,68	0,85	1,01	0,85	1,01	1,18	2,07	2,76	3,45
Power consumption	[A]	3,60	4,80	6,00	4,80	6,00	7,20	6,00	7,20	8,40	9,30	12,40	15,50
Technical data Heizregister													
LTHW 70/50 at air intake temperature 18°C and air discharge temperature 37°C													
Heat output	[kW]	14,4	19,3	24,4	19,3	24,9	28,9	26,7	30,5	35,1	39,4	52	61,1
Flow rate	[m³/h]	0,63	0,85	1,10	0,85	1,10	1,27	1,10	1,30	1,50	1,70	2,30	2,68
Water resistance	[kPa]	1,25	1,83	3,18	2,09	2,87	4,60	3,62	4,12	6,39	2,91	2,97	3,08
LTHW 60/40 at air intake temperature 20°C and maximum air discharge temperature													
Heat output	[kW]	13,4	18,3	23,8	16,4	21,4	26,9	19,0	24,1	29,9	36,9	48,8	60,0
Air discharge temperature	[C°]	37,7	38,2	38,6	36,2	36,7	37,8	34,8	35,7	36,7	38	37,8	38,5
Flow rate	[m³/h]	0,59	0,80	1,00	0,72	0,90	1,18	0,80	1,10	1,30	1,60	2,10	2,58
Water resistance	[kPa]	1,14	1,72	3,33	1,62	2,27	4,12	2,12	2,82	4,99	2,69	2,75	3,00
Pipe connections													
Flow/return flow	[Zoll]	3/4	3/4	3/4	3/4	3/4	3/4	3/4	3/4	3/4	3/4	3/4	3/4
Electrical heater (three-step, 400 V, 3 Ph, 50 Hz)													
Step 1	[kW]	6,0	6,0	9,0	6,0	6,0	9,0	6,0	12,0	12,0	12,0	12,0	12,0
Step 2	[kW]	8,0	12,0	15,0	12,0	18,0	18,0	18,0	18,0	24,0	24,0	24,0	24,0
Step 3	[kW]	14,0	18,0	24,0	18,0	24,0	27,0	24,0	30,0	36,0	36,0	36,0	36,0
Δt max.	[K]	17,4	16,7	17,9	16,7	17,9	16,7	17,9	18,6	19,1	16,7	12,6	10,6
Dimensions													
ETG model - straight with air intake grids													
Height "B"	[mm]	2.000	2.500	3.000	2.000	2.500	3.000	2.000	2.500	3.000	-	-	-
Diameter	[mm]	500	500	500	500	500	500	500	500	500	-	-	-
ETB model - straight with air intake panel													
Height "B"	[mm]	2.000	2.500	3.000	2.000	2.500	3.000	2.000	2.500	3.000	-	-	-
Diameter	[mm]	500	500	500	500	500	500	500	500	500	-	-	-
STB model - angled with air intake panel													
Height "B"	[mm]	2.000	2.500	-	2.000	2.500	-	2.000	2.500	-	-	-	-
Diameter	[mm]	500	500	-	500	500	-	500	500	-	-	-	-
Angled H	[mm]	350	350	-	350	350	-	350	350	-	-	-	-
STG model - angled with air intake grids													
Height "B"	[mm]	2.000	2.500	-	2.000	2.500	-	2.000	2.500	-	-	-	-
Diameter	[mm]	500	500	-	500	500	-	500	500	-	-	-	-
Angled H	[mm]	350	350	-	350	350	-	350	350	-	-	-	-
ETG model - straight with air intake grids and double nozzle													
Height "B"	[mm]	-	-	-	-	-	-	-	-	-	2.000	2.500	3.000
Diameter	[mm]	-	-	-	-	-	-	-	-	-	750	750	750



Dimensions - ETG model - straight with air intake grids

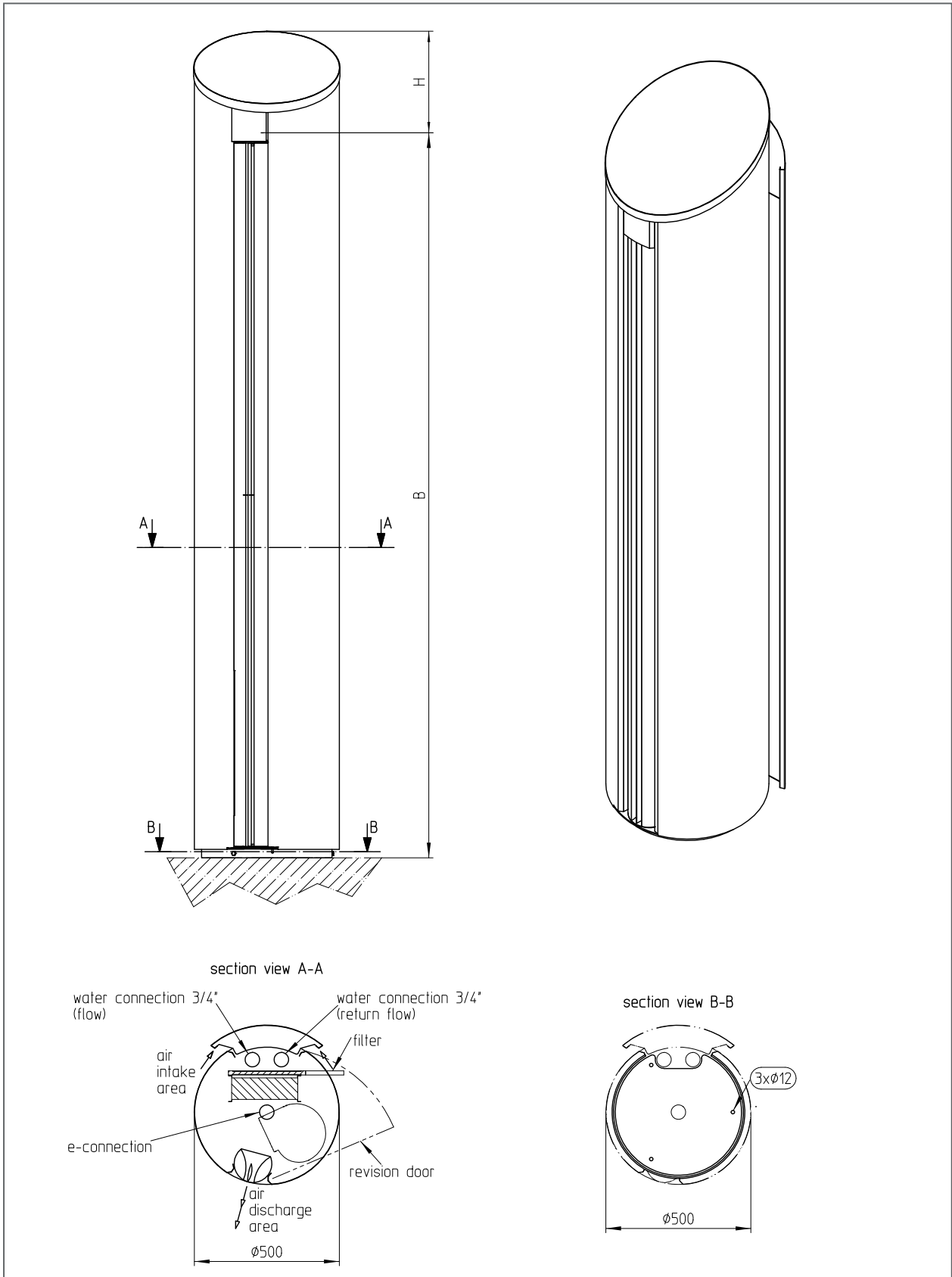


Dimensions - ETB model - straight with air intake panel

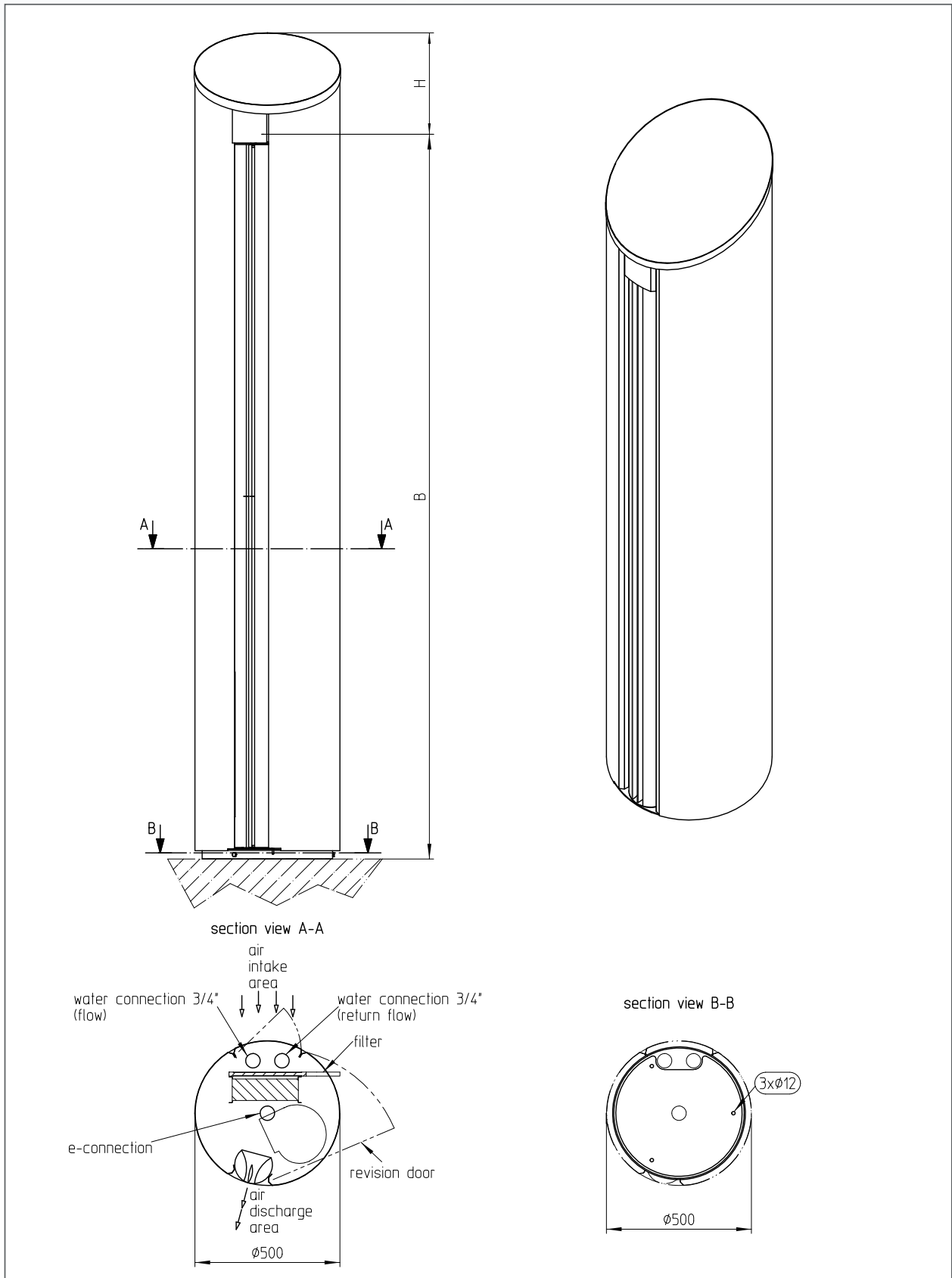




Dimensions - STB model - angled with air intake panel



Dimensions - STG model - angled with air intake grids





Dimensions – ETG model – straight with air intake grids and double nozzle

