



Series		Single unit			Multiple unit	
ROBUVENT		200	300	400	500	600
Overall length/height "B"	[mm]	2.000	3.000	4.000	5.000	6.000
Rec. air discharge width up to	[m]		6,0		6,0	
Weight	[kg]	130	190	250	320	380
Air volume						
Nominal flow rate	[m³/h]	15.640	23.460	31.280	39.100	46.920
Actual flow rate	[m³/h]	14.250	21.375	28.500	35.625	42.750
Max. air discharge speed	[m/s]		14,5		14,5	
Max. noise level	[dB]	52-64	53-65	54-66	55-67	56-68
LTHW 70/50 at air intake temperature of 18 °C						
Heat output	[kW]	56,6	87,5	118,3	144,1	175,0
Max. air discharge temperature	[°C]	30,0	30,0	30,0	30,0	30,0
Water resistance	[kPA]	9,8	10,4	10,6	10,4	10,4
Flow rate	[m³/h]	2,5	3,8	5,2	6,3	7,6
Connections flow/return flow	[inches]	1¼	1¼	1¼	1¼"	1¼
Fans						
AC technology*						
Voltage / frequency	[V/Hz]		400 / 50		400 / 50	
Output	[kW]	1,44	2,16	2,88	3,60	4,32
Power consumption	[A]	2,82	4,23	5,64	7,05	8,46
EC technology*						
Voltage / frequency	[V/Hz]		400 / 50		400 / 50	
Output	[kW]	1,88	2,82	3,76	4,70	5,64
Power consumption	[A]	3,20	4,80	6,40	8,00	9,60

Subject to technical changes.

* Maximum output data for conductor dimensions. The electrical output data in device operation are lower.

Order key

ROBUVENT

H = Horizontal installation

V = Vertical installation

200, 300, 400, 500, 600

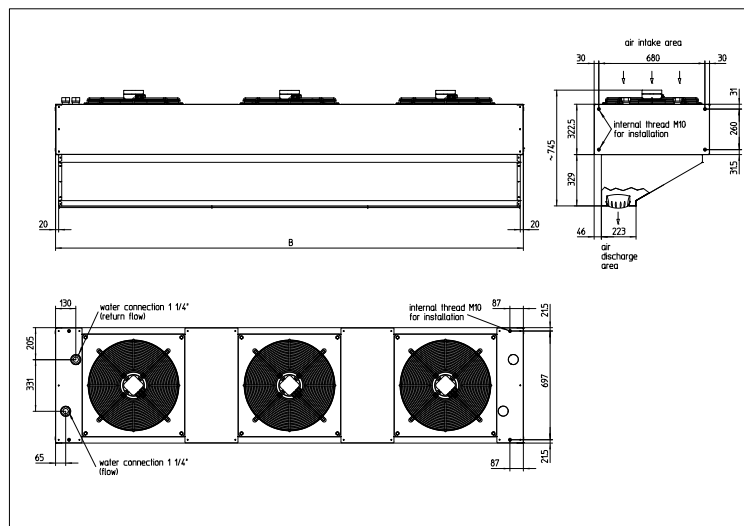
= Overall length in cm

N = LTHW 70/50 °C

K = without heat exchanger

H - 400 - N = example

ROBUVENT horizontal



All measurements are in mm. Subject to technical changes.

ROBUVENT vertical

